

LOTTE

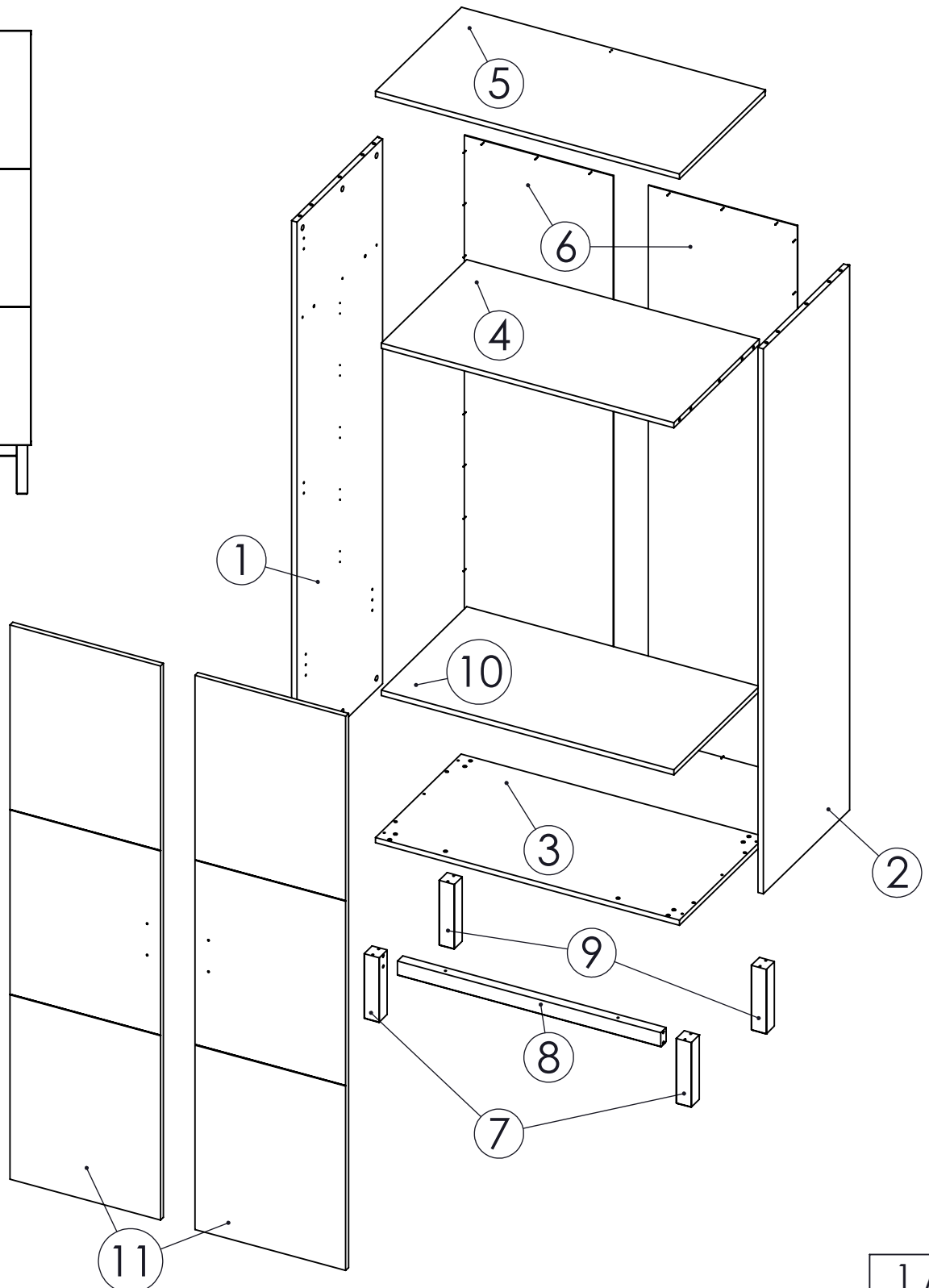
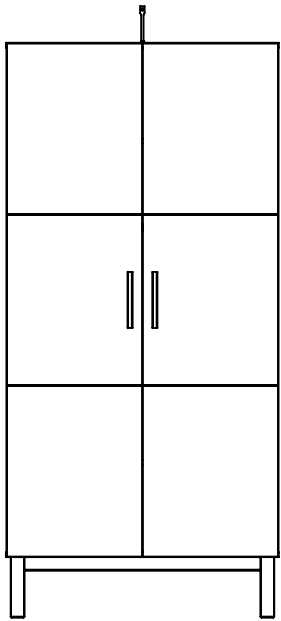
001 / 09/6/2022

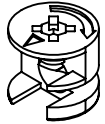
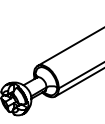
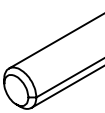
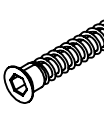


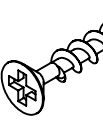
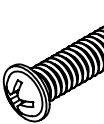
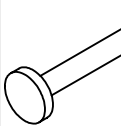
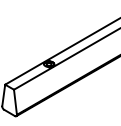
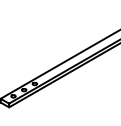
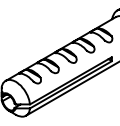
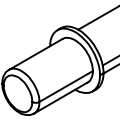
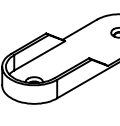
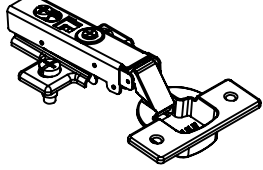
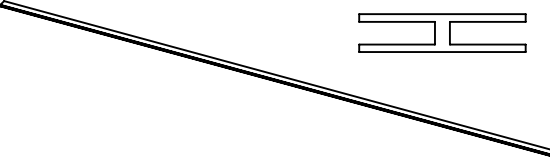
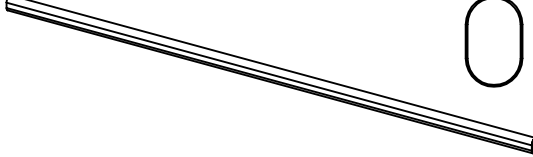
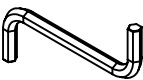
WARDROBE 2D

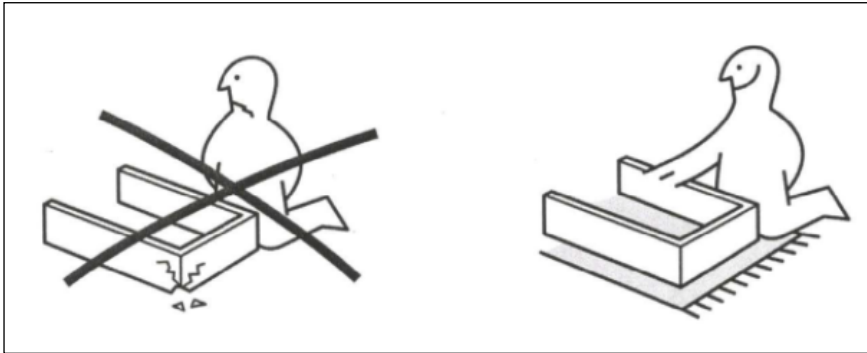
ART CODE: 116 11 603

bopita®

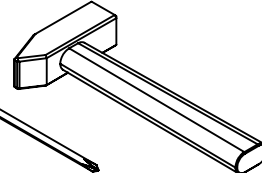
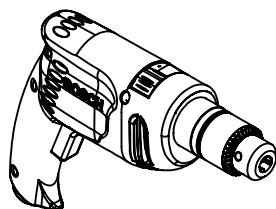
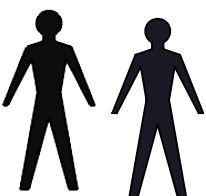
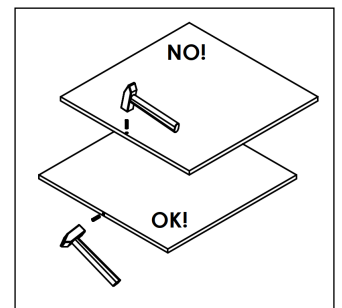
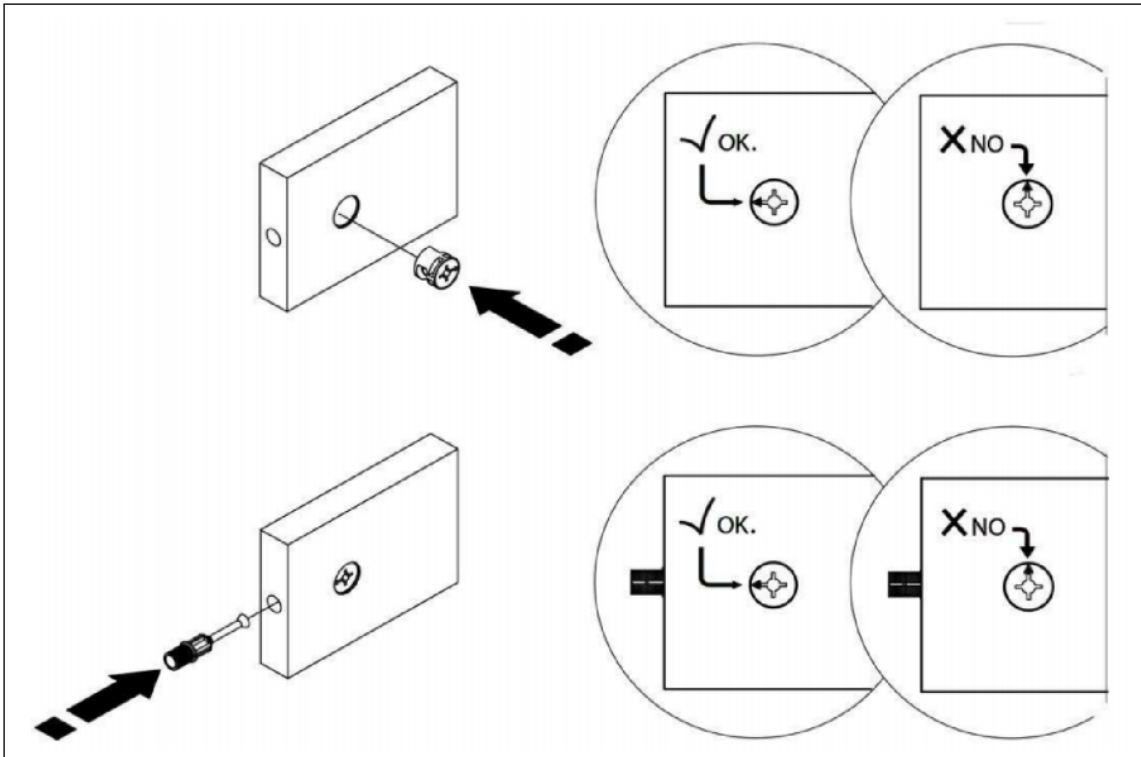
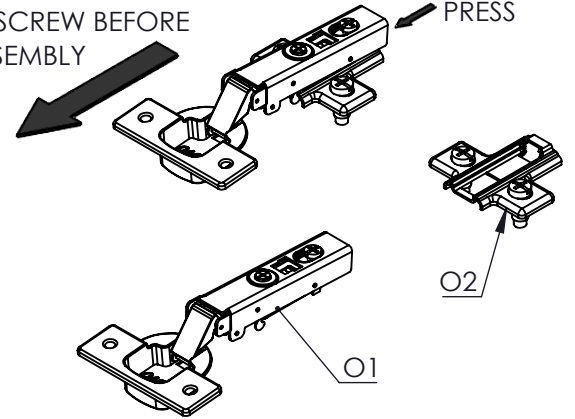
"BOPITA"
LION INTERNATIONAL B.V.
ENERGIEWEG 1
6662 NS ELST GLD
NEDERLAND
www.bopita.com



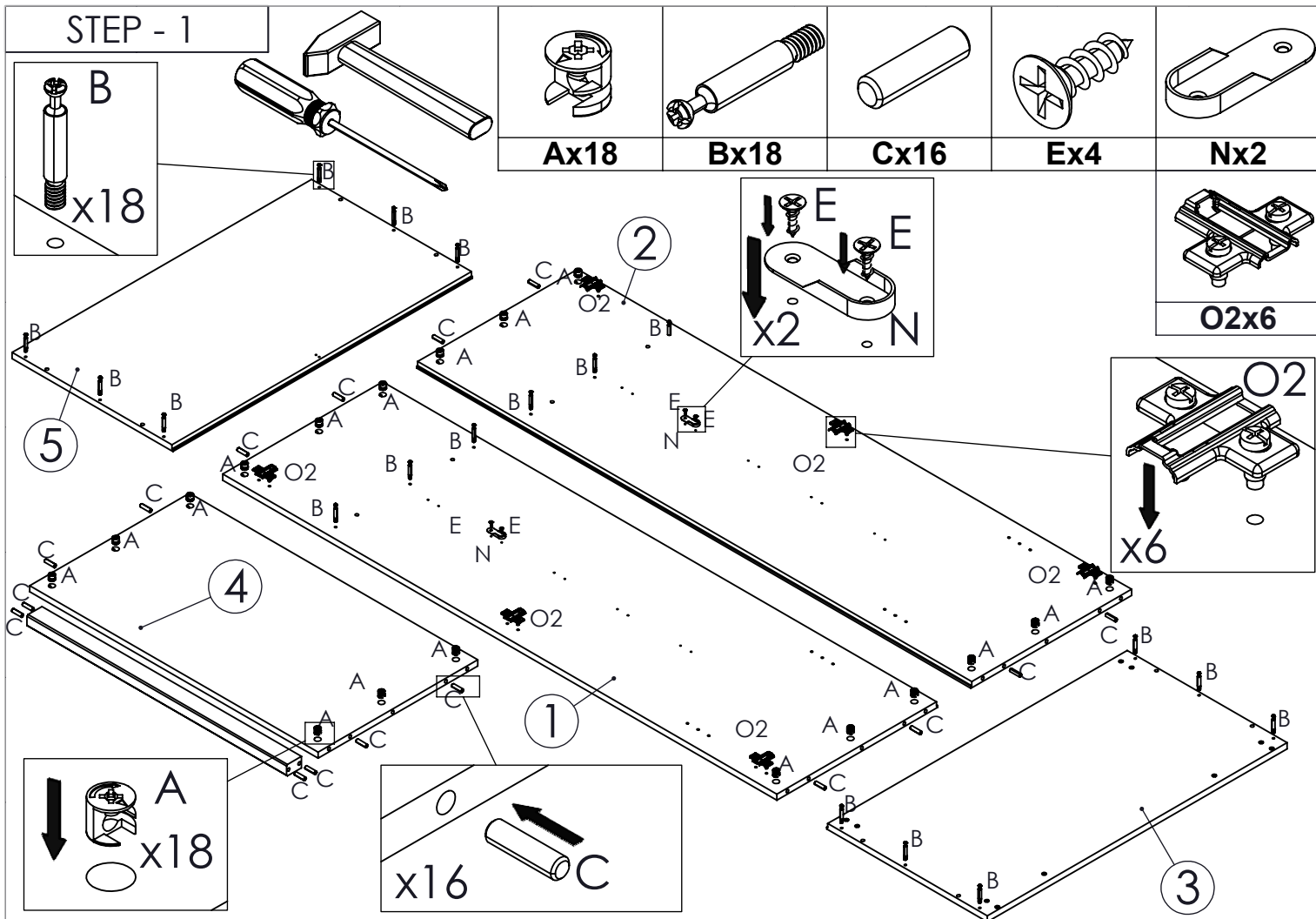
		8x30 	7x50 	3,5x13 		5x45 	4x25 
A x 18	B x 18	C x 16	D x 10	E x 16	F x 2	G x 1	H x 4
							
I x 34	J x 2	K x 1	L x 1	M x 4	N x 2	O1/O2 x 3/3	
							
P x 1			Q x 1			IMBUS	



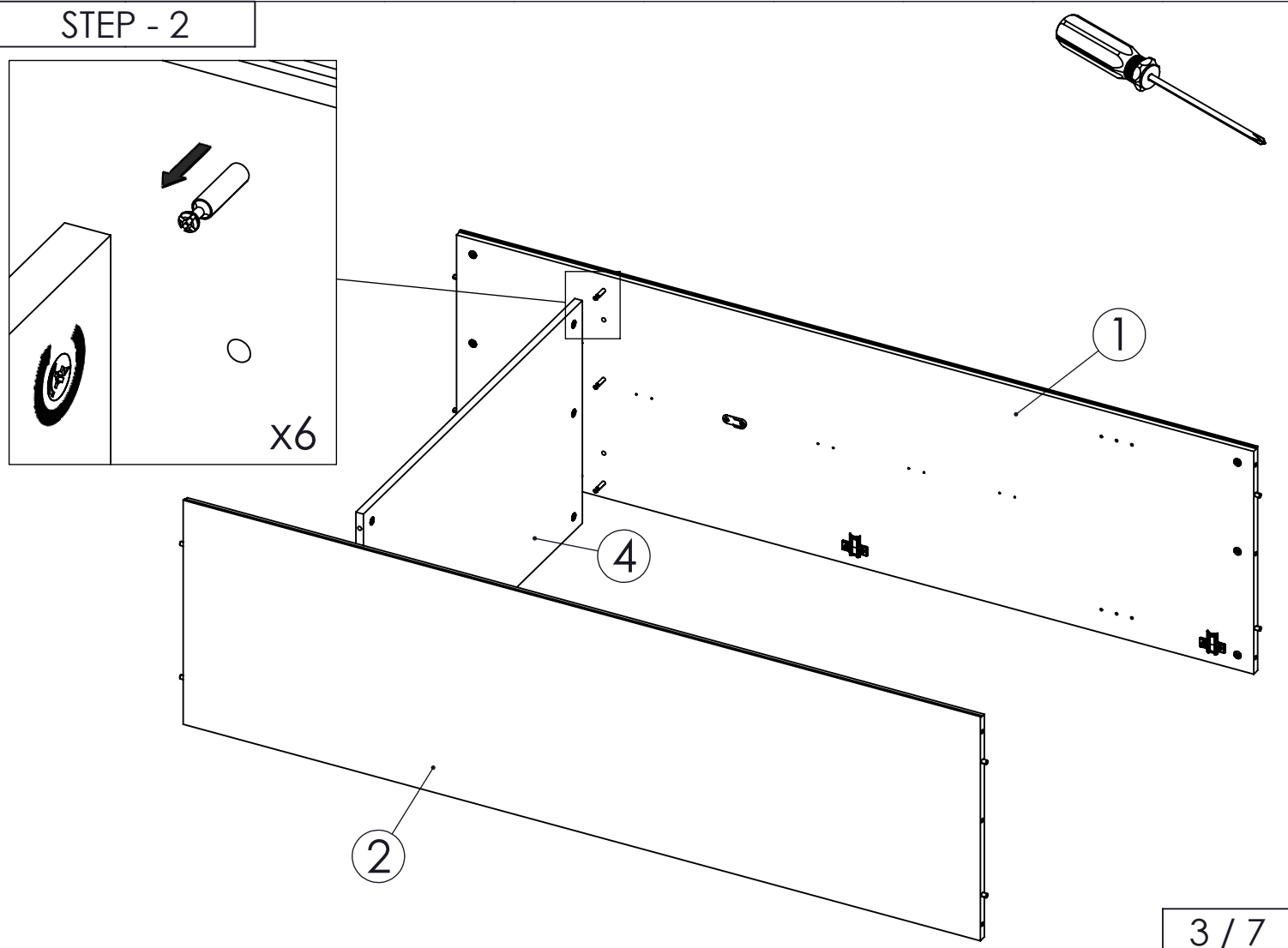
UNSCREW BEFORE ASSEMBLY



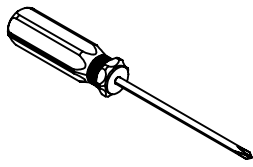
STEP - 1



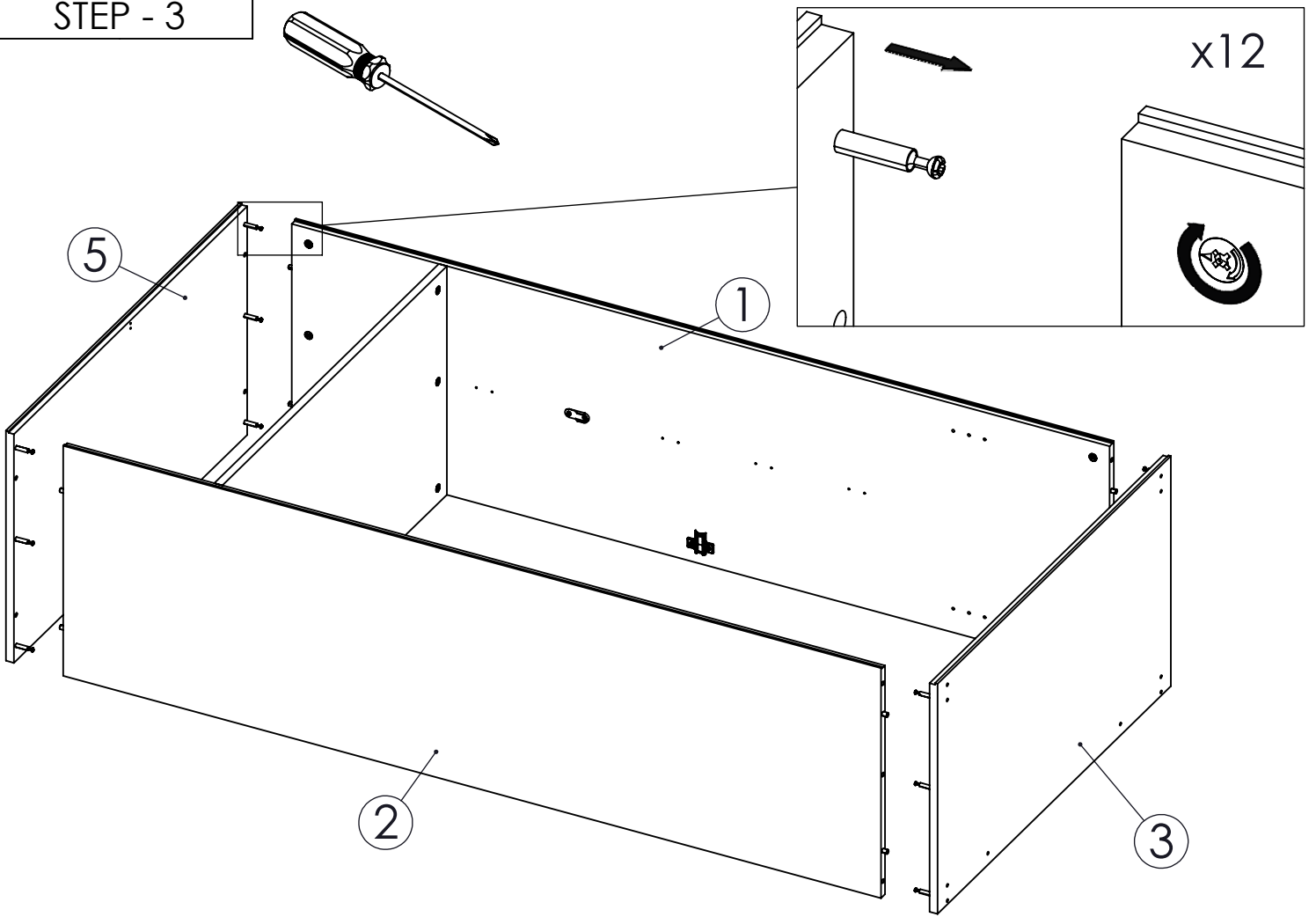
STEP - 2



STEP - 3

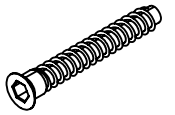


x12

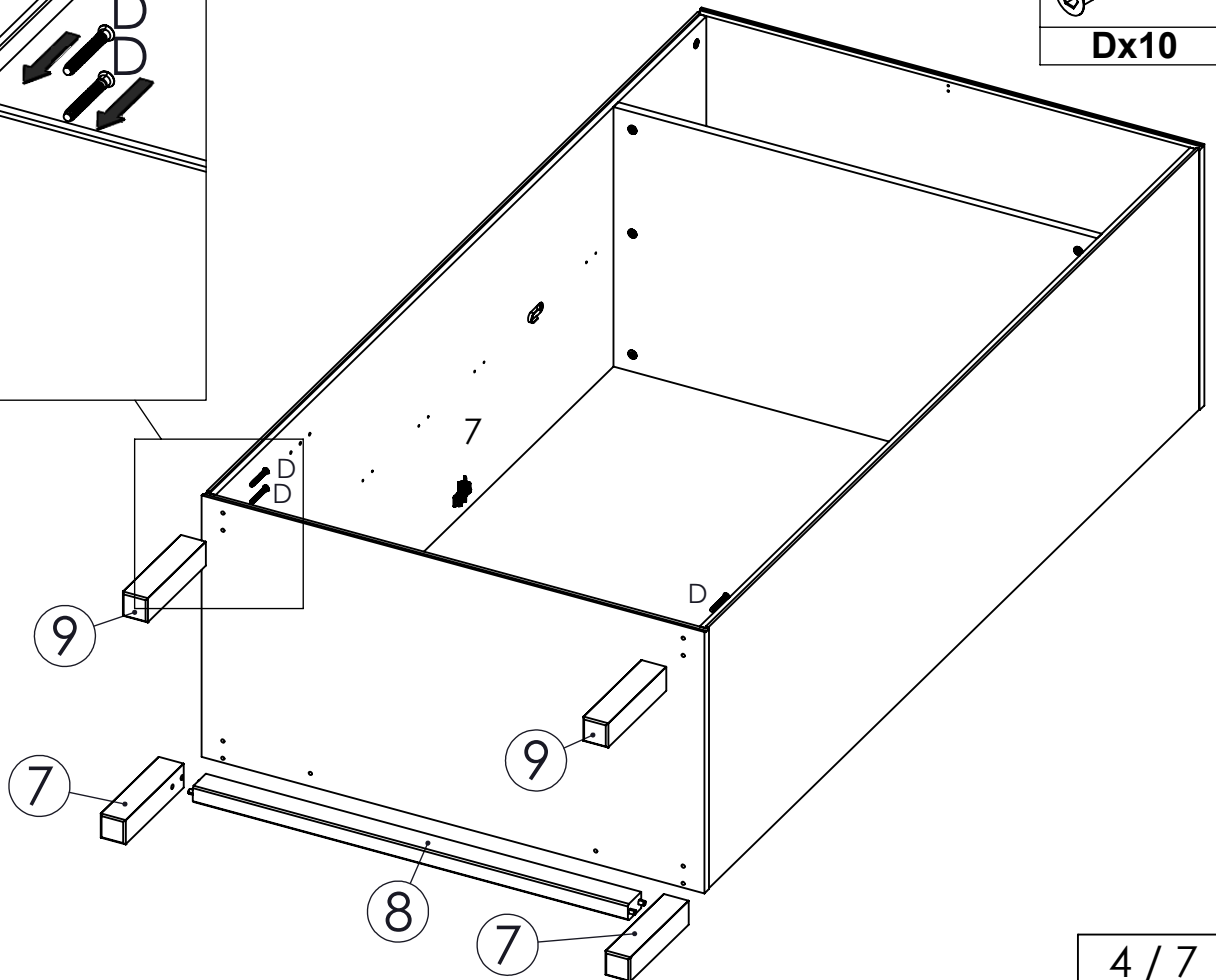
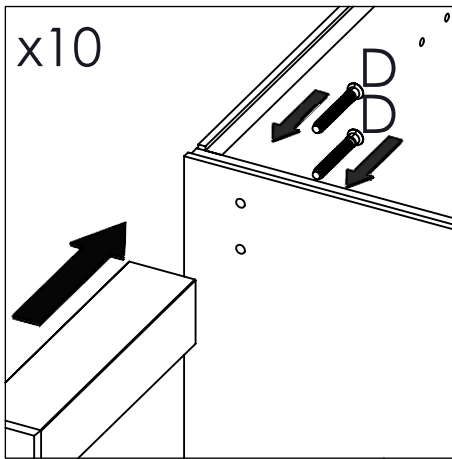


STEP - 4

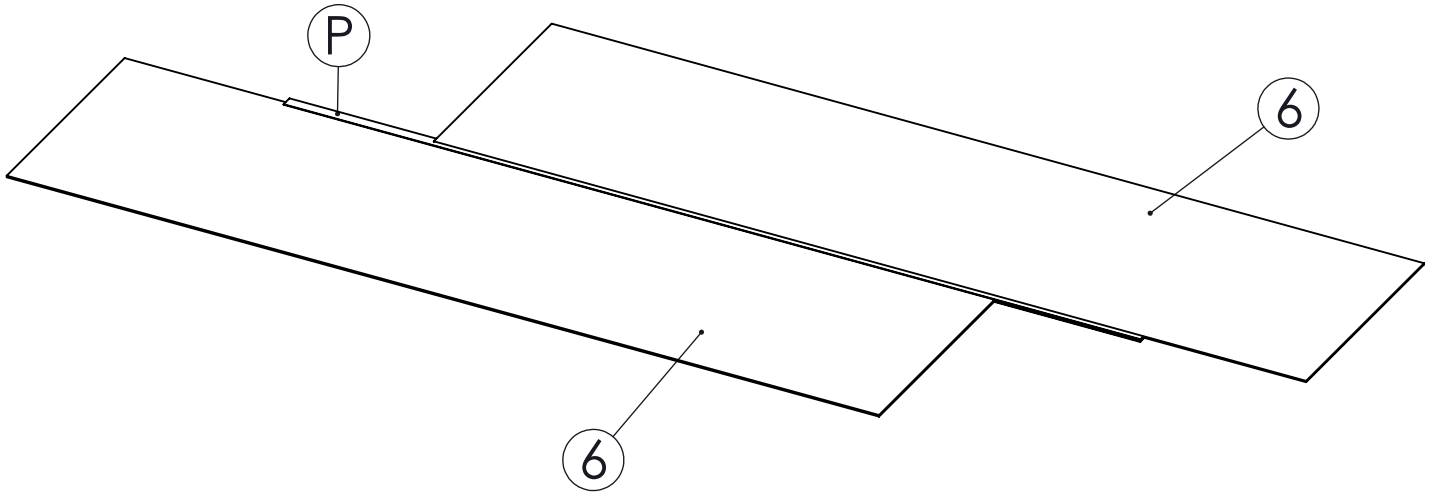
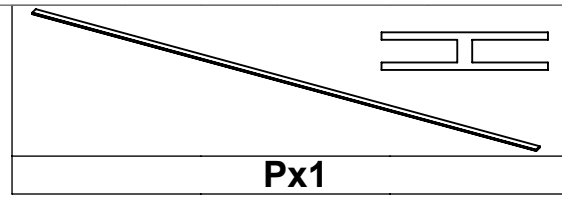
x10



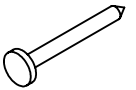
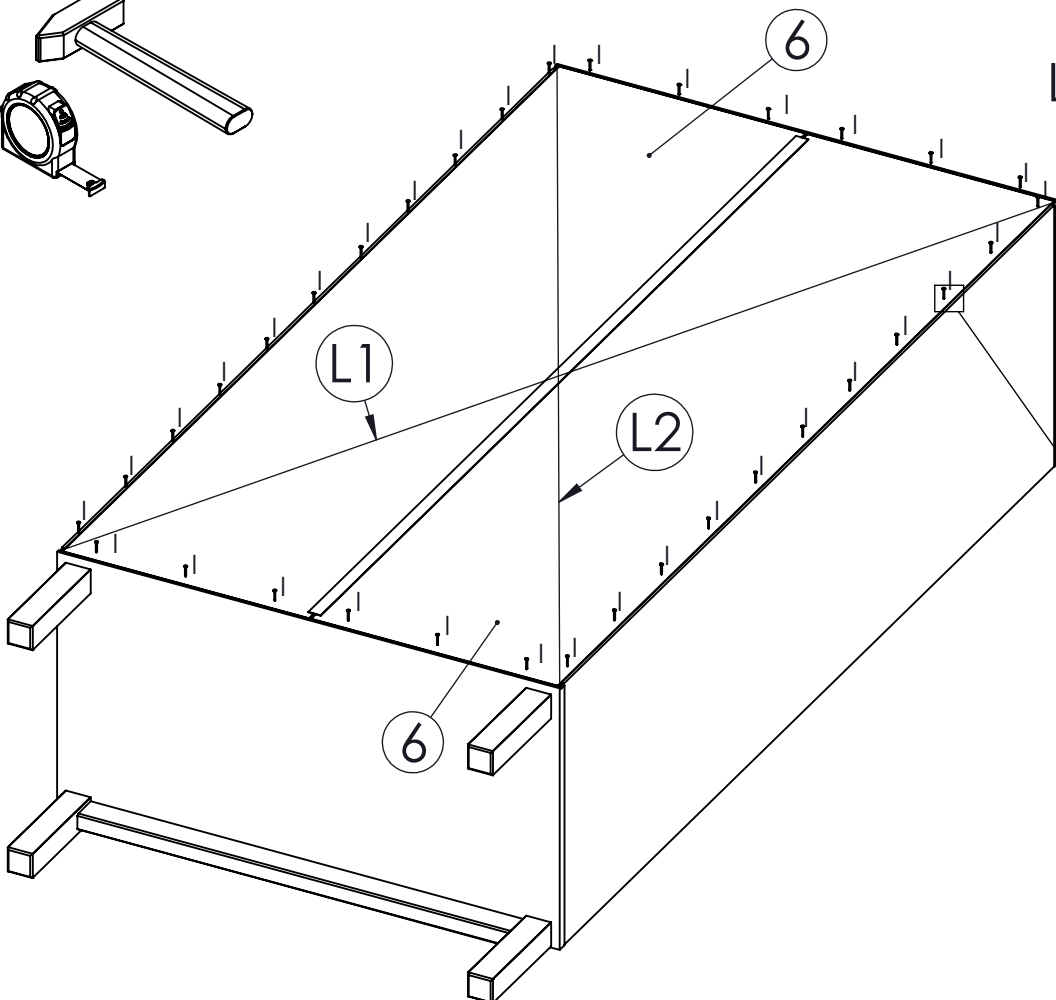
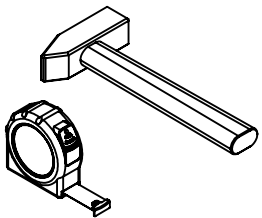
Dx10



STEP - 5

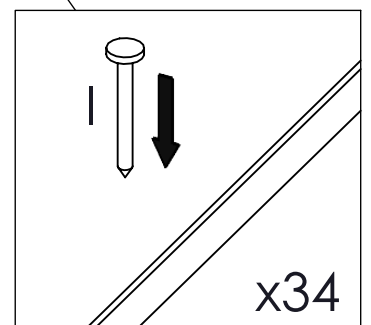
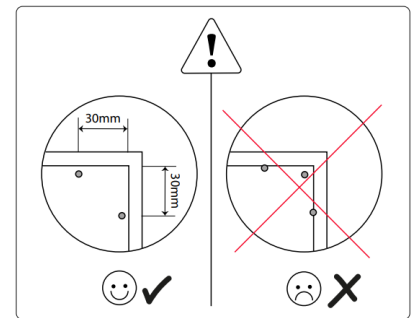


STEP - 6

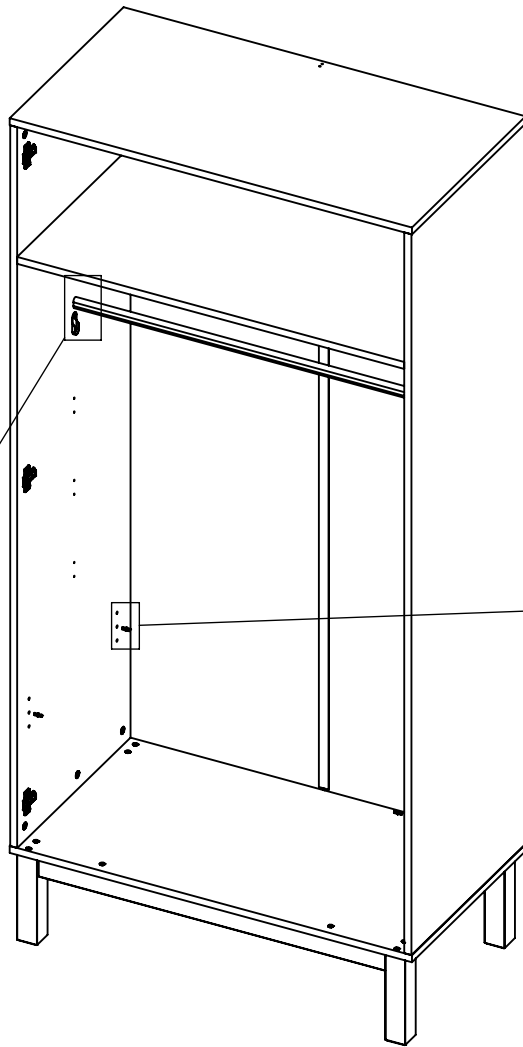
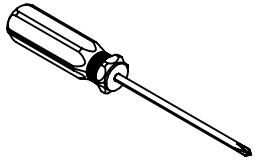


x34

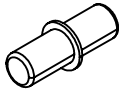
L1=L2



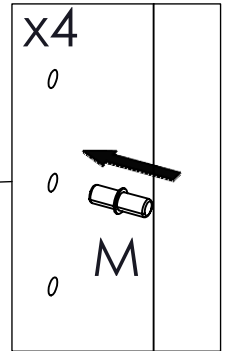
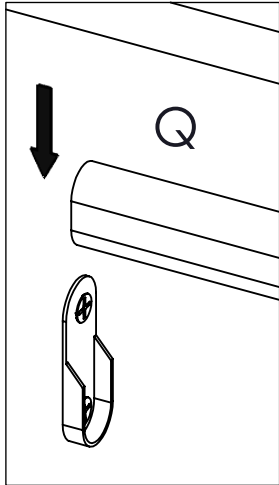
STEP - 7



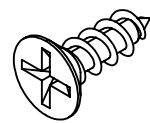
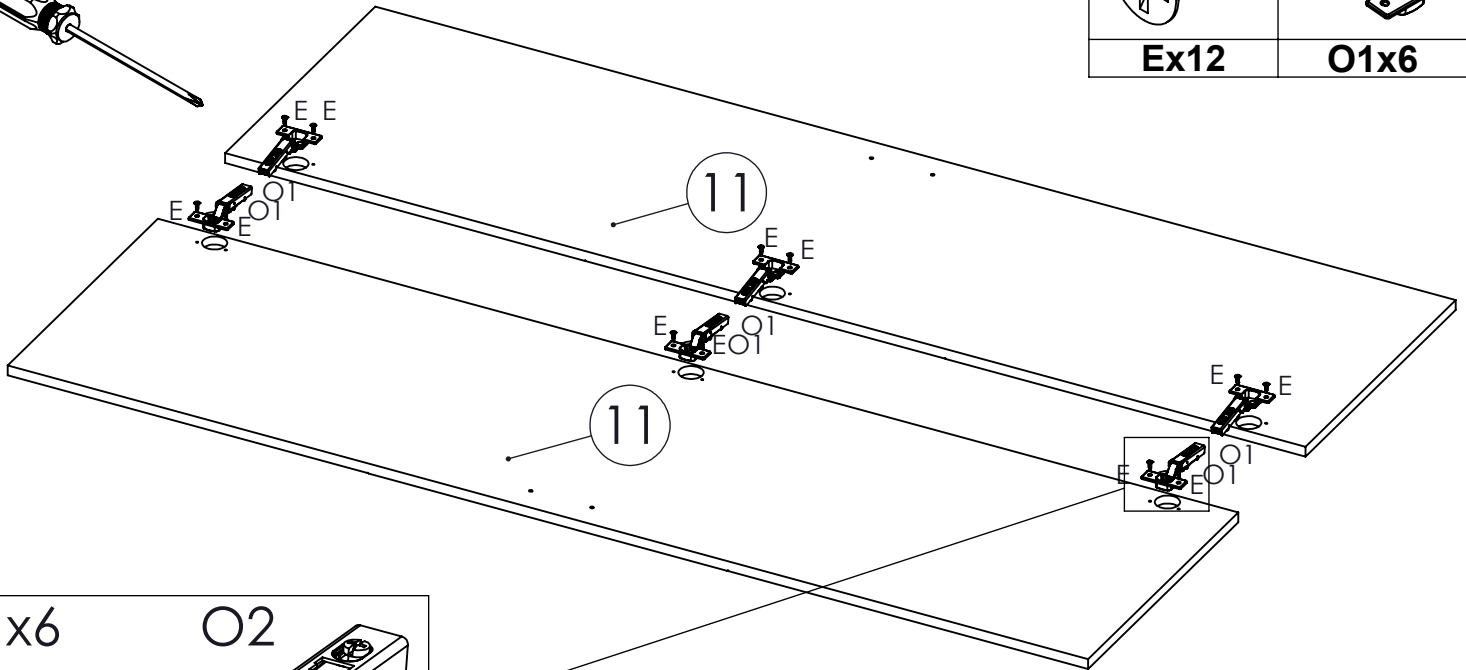
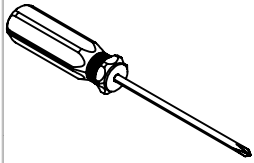
Qx1



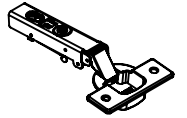
Mx4



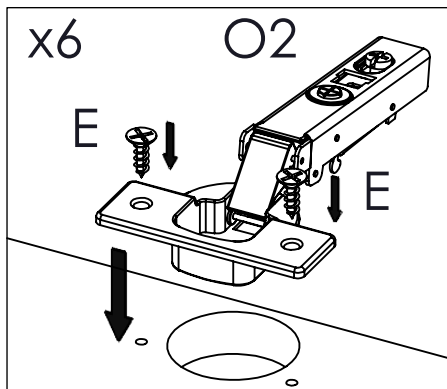
STEP - 8



Ex12



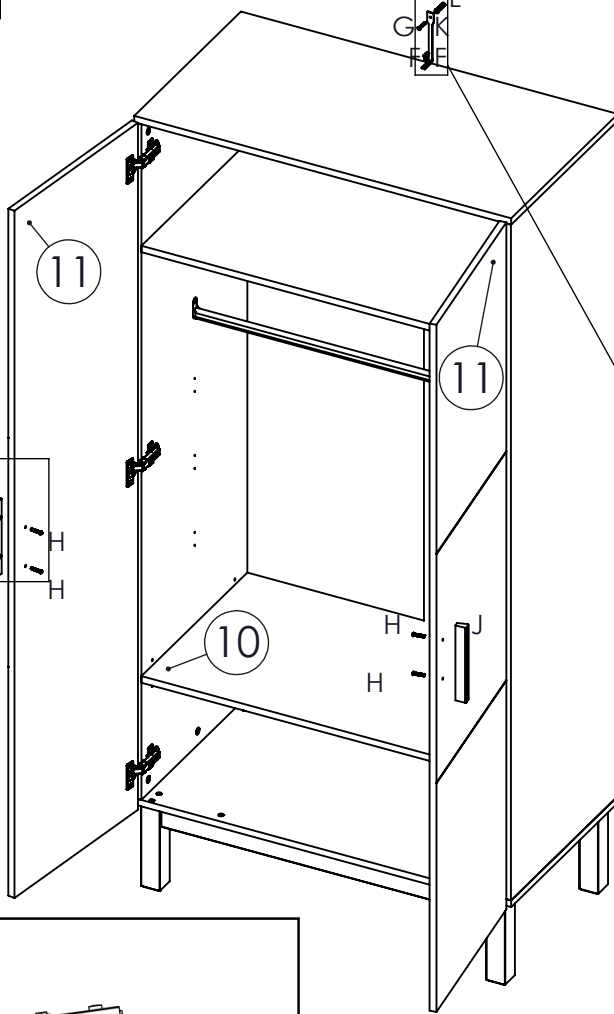
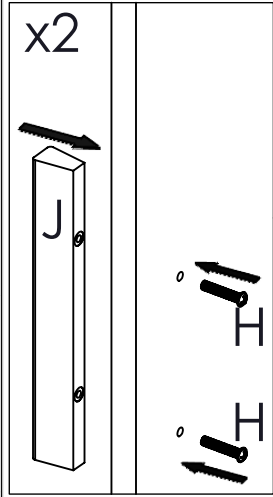
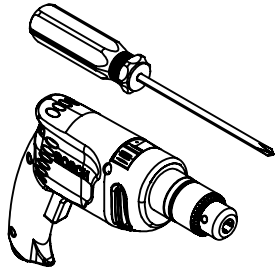
O1x6



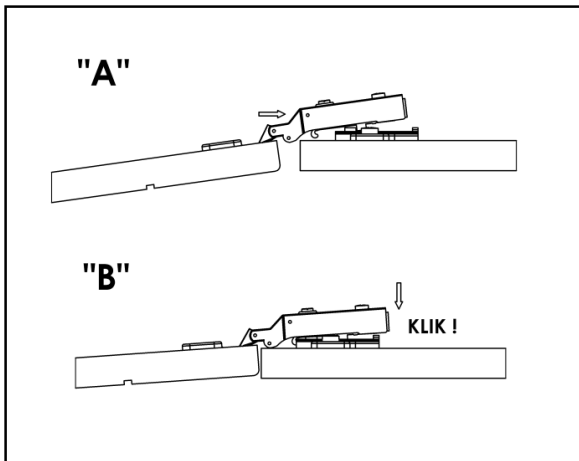
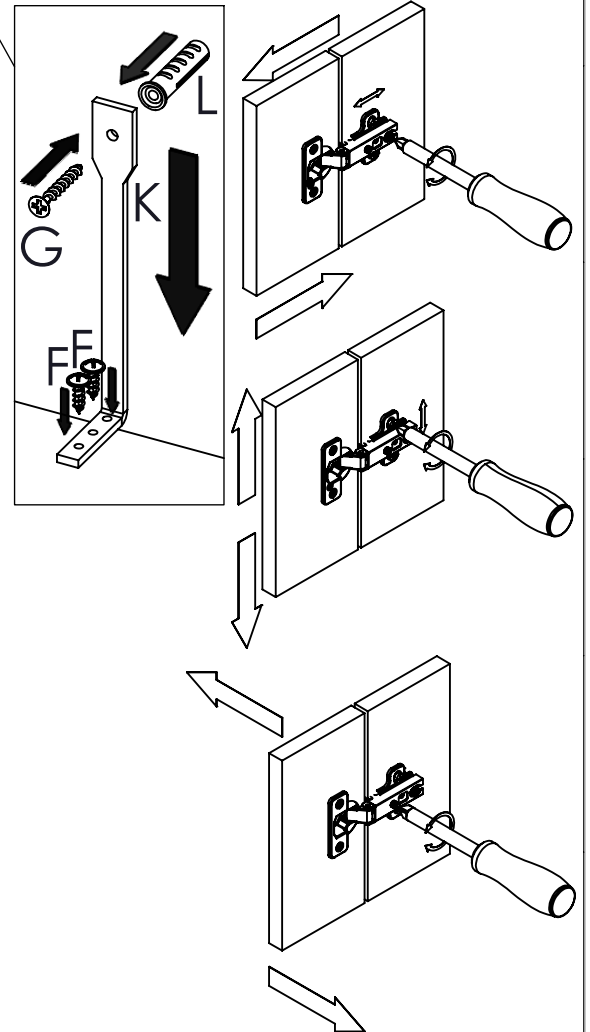
x6

O2

STEP - 9

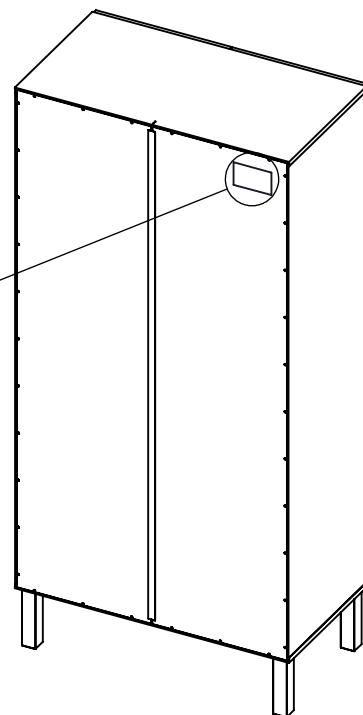


Fx2	Gx1	Hx4
Jx2	Kx1	Lx1



QC-CODE

- (UK) for service requests
- (NL) voor service vragen
- (FR) pour les demandes de service
- (DE) für Service Anfragen
- (ES) para consultas de servicio
- (IT) per richieste di assistenza



QC-CODE